



### Features and Benefits

- Adjustable switching point
- Lid-mounted screws provide tamper proofing
- Cost-effective flow switch for many HVAC applications

### Technical Overview

The FS-A is a paddle switch intended to monitor air flow within ductwork and provide a switch output on detection of either a specific flow rate or flow failure.

Switching sensitivity can be adjusted by means of a calibration screw within the unit. The paddle can be trimmed to increase sensitivity if necessary.

### Product Codes

**FS-A**      Duct air flow switch

### Specification

Contact Rating:	24...250Vac 15(8)A
Switch:	Dust tight microswitch
Switching:	
Minimum setting	Cut in    Cut out 2.5m/s   1m/s
Maximum setting	Cut in    Cut out 9.2m/s   8m/s
Dimensions:	
Housing	113.5 x 65 x 62mm
Paddle	175 x 80mm
Materials:	
Main Body	ABS base, transparent PC cover
Rod	Brass
Paddle:	Stainless steel.
Temperature range:	
Media	-40 to +85°C
Ambient	-20 to +70°C
Humidity	10 to 90%RH non-condensing
Protection	IP65
Country of origin	Italy
Conformity	LVD, CE & UKCA Marked

#### WEEE Directive:



At the end of the products useful life please dispose as per the local regulations. Do not dispose of with normal household waste. Do not burn.



## Installation

- The switch should be installed in a straight length of duct of 5 x diameter before and after the location of installation to avoid air swirl and paddle instability, and as far away from bends as possible.
- The arrow on the side of the switch should coincide with the direction of air flow.
- Care should be taken not to damage the paddle during installation.
- The switch can be mounted in any aspect but is factory set for use in a horizontal plane. In vertical installations some adjustment may be necessary to take account of the weight of the paddle and switch arm.

### Note:

The flow switch may be installed in every position duly orientated on stream.

The units are calibrated at the minimum switch-off value. A higher value can be adjusted by turning the range screw clockwise. Due to the risk of fracture at air speed higher than 5 m/s the paddle must be cut off on the marked side. When the paddle is cut off, the minimum cut-out value increases from 1 m/s to 2,5 m/s.

Straights zones should be provided for a length of 5 x diameter upstream and downstream the location of installation to avoid air swirl and paddle instability.

## Connections

Dangerous voltages may exist within this unit.

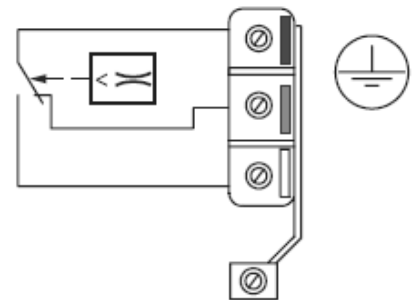


Connection should be carried out by a competent and suitably qualified electrician only.

The relevant earthing requirements should be observed when connecting the unit, especially when using higher voltages. Do not over tighten the terminals.

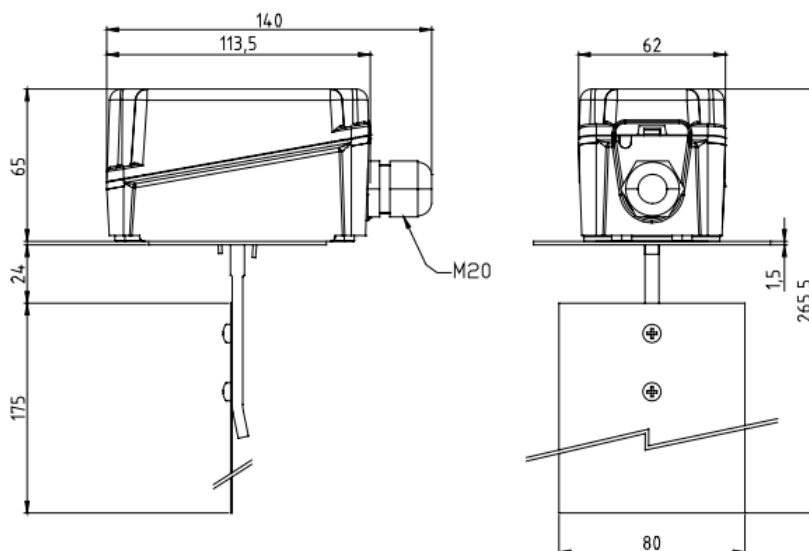
Connect the red-white contacts. These contacts will open when the value drops below the set level in the event of a flow decrease.

The red-blue contacts close simultaneously and can be used as a signal contact.



(indicating flow)

## Dimensions



Whilst every effort has been made to ensure the accuracy of this specification, Sontay cannot accept responsibility for damage, injury, loss or expense from errors or omissions. In the interest of technical improvement, this specification may be altered without notice.