



Features and Benefits

- Wide range and adjustable switching point
- Switches 24-240Vac/dc
- ¼" BSP female connections
- Visible set point scale

Technical Overview

The PL-FD113 liquid differential pressure switch is suitable for the monitoring flow across pumps, chillers, valves etc. The set point is adjustable in the range 0.3 to 4.5bar, and is suitable for non-aggressive media such as water, air, oil, diesel, steam (with pig tail) etc.

Approximate set point can be viewed on the dial at the front of the unit.

Product Codes

PL-FD113 0.3 to 4.5bar Liquid differential pressure switch

Specification

Range	0.3 to 4.5 bar
Factory setting	0.7 Bar
Switching differential (fixed)	0.2 Bar
Max. differential pressure	12 Bar
Max. pressure	25 Bar
Pressure connections	¼" BSP female
Ambient temperature	-10 to +70°C
Media temperature	Max 70°C
Electrical connections	Screw terminals for 1.5mm ² cable
Switch ratings:	
AC	3A @ 230 Vac
DC	0.1A @230Vdc
Materials:	
Fittings	Brass
Wetted parts	Phosphor bronze
Switch back plate	Zinc plated mild steel
Housing cover	Flame res. Polycarbonate
Dimensions	128 x 175 x 48mm
Protection	IP30
Vibration resistance	4G
Country of origin	Czech Republic
Conformity	LVD, CE & UKCA Marked



Warning!
When installed, the output contacts may carry 240Vac. Special care must be taken to isolate the switched voltage prior to any work being undertaken.

WEEE Directive:



At the end of the products useful life please dispose as per the local regulations. Do not dispose of with normal household waste. Do not burn.

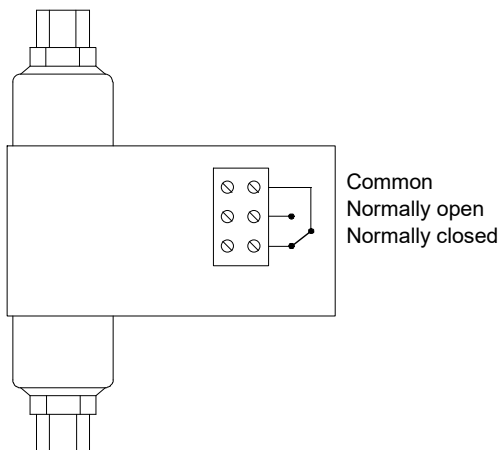


Installation, Electrical Connections & Dimensions

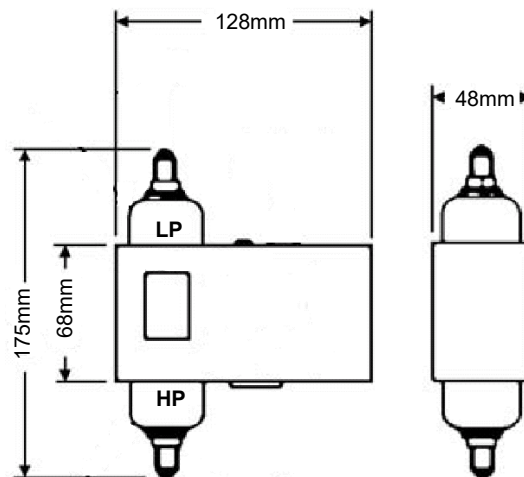
1. The PL-FD113 should only be connected by a competent, suitably trained technician, experienced in installation with hazardous voltages. (>50Vac & <1000Vac or >75Vdc & 1500Vdc). Pressure connections should be carried out by a technician qualified to work with the media being monitored.
2. Ensure that all power is disconnected before carrying out any work on the PL-FD113.
3. Ensure that the unit is not subjected to ingress by water.
4. Mount the PL-FD113 using the screws supplied. If the supplied screws are lost, an M4 x 6 screws can be used. This must have a depth of 5mm or less.
5. Connect pipe work using 1/4" BSP male adapters into the 1/4" BSP female fittings on the switch. Low pressure connection is at the top of the switch and the high pressure connection at the bottom as per the diagram below.
6. Set the switching point by inserting a screwdriver into the slots wheel above the scale.

It is not recommended that the scale is not used for accurate setting of the switch position.

Electrical connections;



Dimensions;



Whilst every effort has been made to ensure the accuracy of this specification, Sontay cannot accept responsibility for damage, injury, loss or expense resulting from errors or omissions. In the interest of technical improvement, this specification may be altered without notice.